

Catalog 2017-2018 Bachelor of Science Engineering Technology

Major: Electronic and Computer Engineering Technology (121)

Freshman Year Sophomore Year

**HED Common Core
With Recommendations**

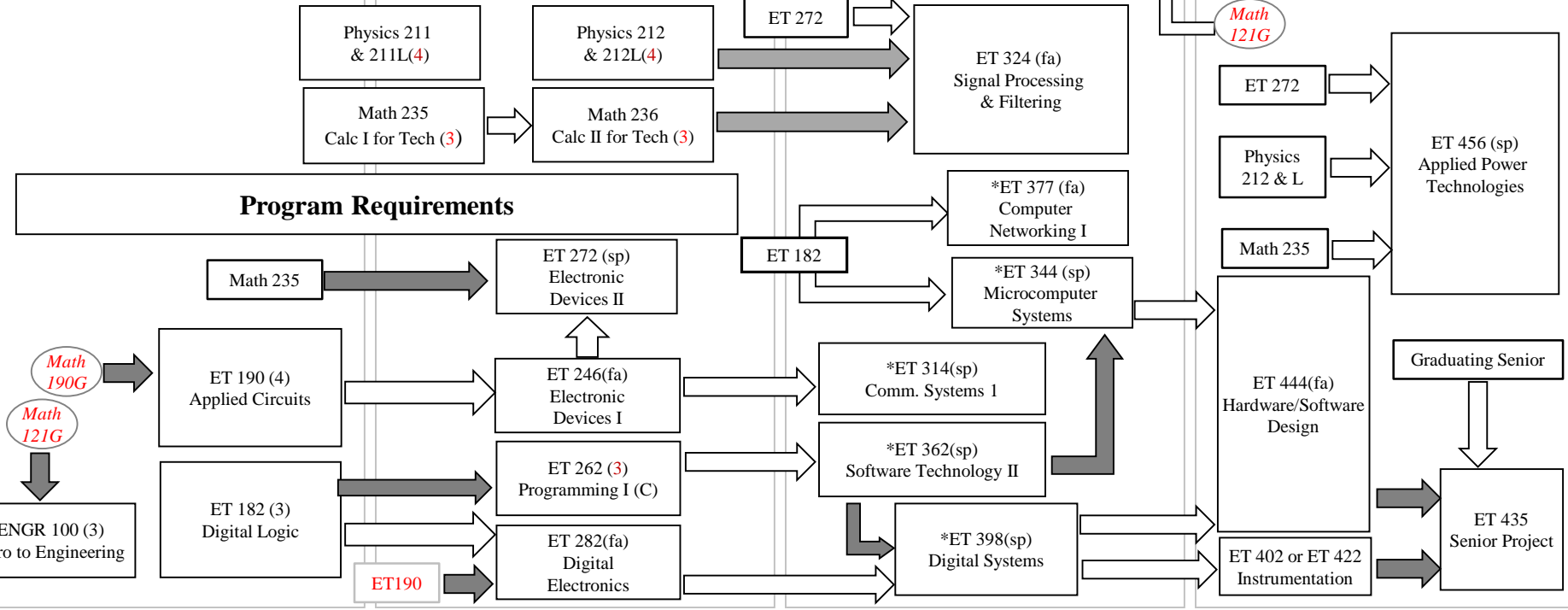
College Level English (4) <i>Engl 111</i>	Oral Communication (3) <i>Comm 265</i>	College Level Composition (3) <i>Engl 218G</i>
Social Behavioral Sciences (6)	Humanities And Fine Arts (6)	Social Behavioral (3) Or H And Fine Arts (3)

**Program Requirements fulfilling HED
Laboratory Science and Math Areas**

Physics 211 & 211L(4)	Physics 212 & 212L(4)	
Math 235 Calc I for Tech (3)	Math 236 Calc II for Tech (3)	

Junior Year Senior Year

Viewing A Wider World Elective (3)	Viewing A Wider World Elective (3)	IE 451 (3) Engineering Economy
Approved Technical Elective (3)	Approved Technical Elective (3)	Approved Technical Elective (3)
A ST 311 (3) Applied Statistics	ET 381(sp) (3) Renewable Energy Technologies	ET 410 (1) Senior Seminar



***All courses prefixed ET 300 and above require at least Math 190 as a pre-requisite**

fa - fall only course Pre-requisite →
 sp - spring only course Co / Pre-requisite →