

# Catalog 2015-2016: Bachelor of Information and Communication Technology

## Requirements for Junior Standing in ICT

1. The following ICT Major specific requirements or their equivalents:

- Computer Hardware
- MATH 121 College Algebra
- ICT 352 Java Programming for ICT (Su)

2. Typically, students with an AS or AAS degree enters the ICT Major having met the General Education Requirements (32 credits) of:

Area	Credits
• Area I: Public Speaking	3
• Area I: English Composition	3
• Area I: College Level Writing	3
• Area III: Laboratory Science	8
• Area IV: Social/Behavioral Sciences	6-9
• Area V: Humanities and Fine Art	6-9

3. Electives (36 credits)

- Typically content courses from an AS or AAS program

A student can start the program prior to finishing the junior standing requirements but must make arrangements to fulfill these prerequisites or their equivalents.

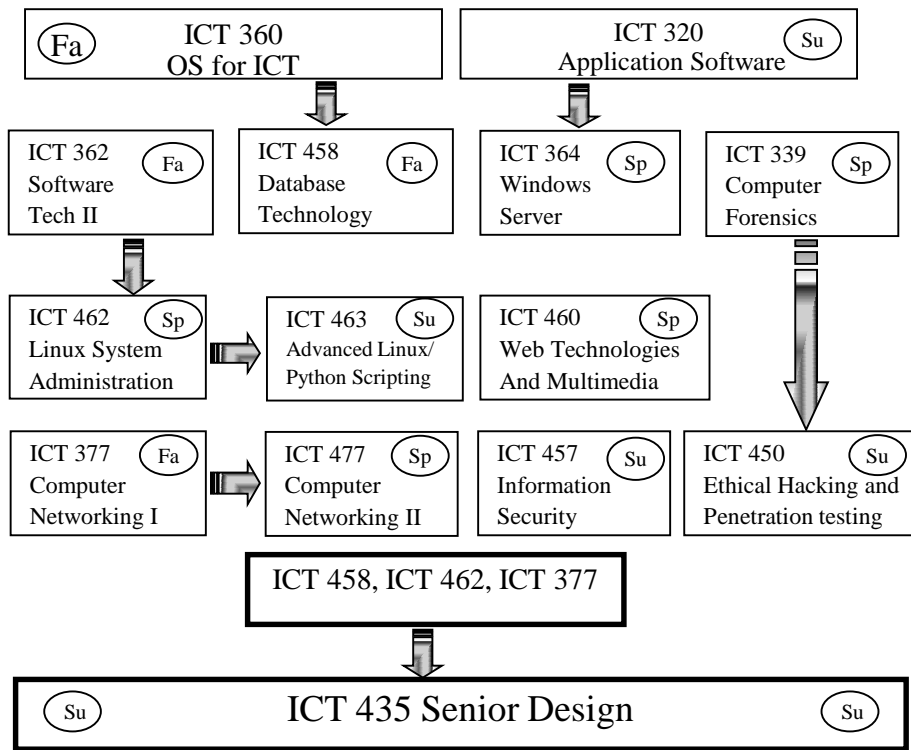
### You will need the following items:

- At least 4G Ram, Access to a current Windows OS
- NMSU E-mail account
- High speed internet
- Webcam/Microphone
- Microsoft Office

## ICT Upper Division Requirements

### Semester offerings by the department

(Fa) Fall (Sp) Spring (Su) Summer



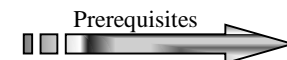
## NMSU Viewing the wider world requirements

Viewing the Wider World 1 - Level 300 or above, 3 credits

- Outside Major and Department

Viewing the Wider World 2 - Level 300 or above, 3 credits

- Outside College of Engineering



**Advising:** Review the courses you may need for the semester. Pay close attention to the **prerequisites(these have changed starting in Spring 2012)** and the semester offerings. The on-line catalog has a listing all the courses that can be used for the required gen-ed and viewing the wider world classes. If you have questions or have problems registering contact an advisor(have your Banner ID handy).

**Notes:**

The student is expected to have been introduced to Word, PowerPoint, Excel, Access, and HTML.

ICT 352 is required for students entering the ICT program who have not taken an introductory class in Java programming. This will be evaluated by an ICT faculty advisor.

ICT 435 is the Senior Project class. This class is to be taken in the senior year. The prerequisites for this class are ICT 462 and ICT 477 and ICT 458. The student will work on an approved project related to the ICT curriculum.

## Course Titles

ICT 320 Software Applications for IT

ICT 360 Operation Systems for ICT

ICT 339 Computer Forensics

ICT 345 Computer Hardware Fundamentals

ICT 352 Software Programming for ICT (Intro to Java)

ICT 362 Software Technology II

ICT 377 Computer Networking I

ICT 300 Special Topics in ICT

ICT 435 Senior Project

ICT 450 Advanced Topics in ICT

ICT 457 Introduction to Information Security Technology

ICT 458 Database Technology for Engineering

ICT 460 Advanced Topics in Multimedia Applications

ICT 462 Remote Access Operating Systems

ICT 463 Computer Systems Administration

ICT 477 Computer Networking II