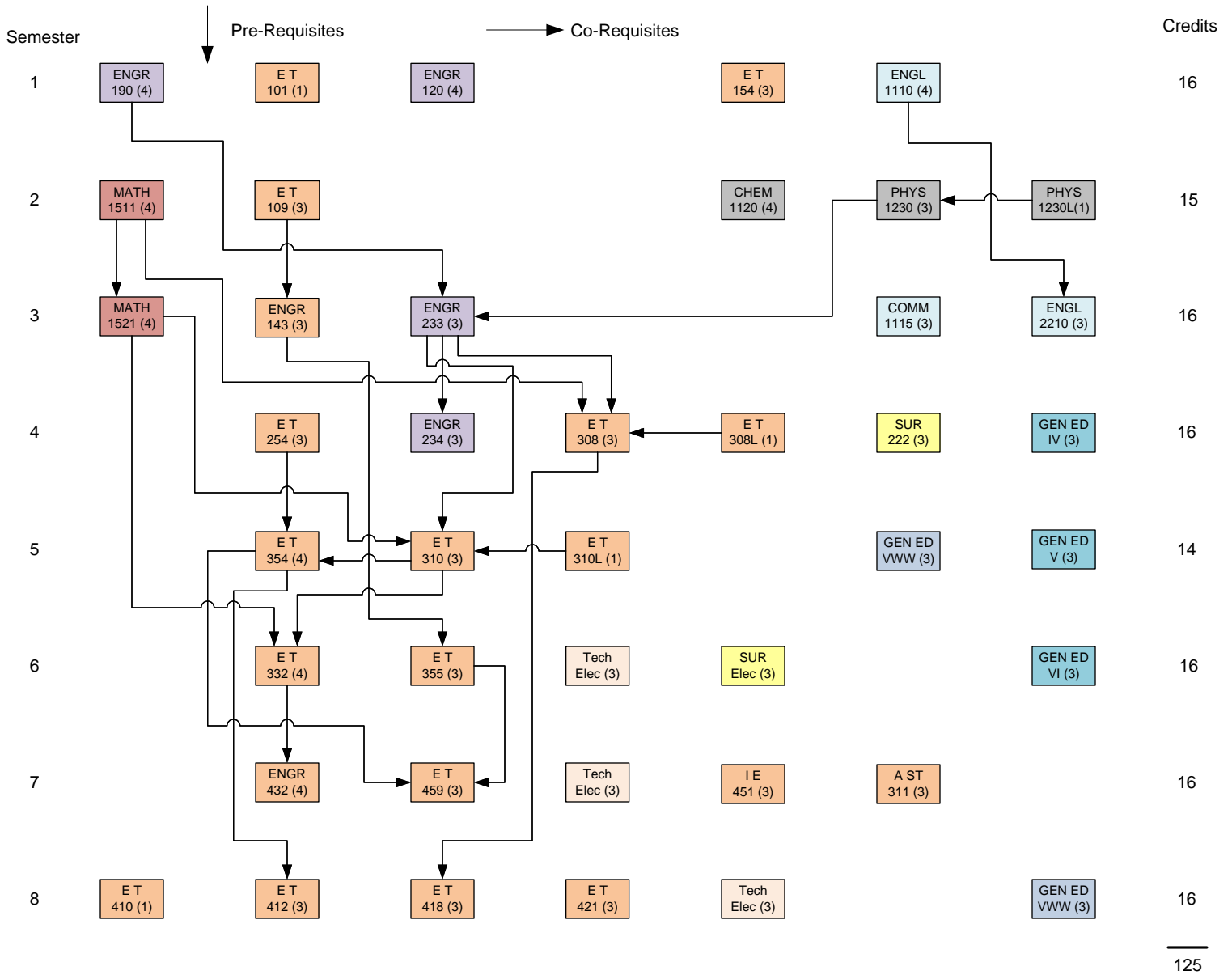


# Civil Engineering Technology (2023-2024)

Name \_\_\_\_\_

Student ID \_\_\_\_\_



125

**Electives:**

### Technical Electives

