


Catalog 2012-2013: Bachelor of Information and Communication Technology

Requirements for Junior Standing in ICT

1. The following ICT Major specific requirements or their equivalents (**9 credits**):

- Course using Microsoft Office Tools
 - MATH 121 College Algebra
 - ICT 352 Programming for ICT (Su) 
- Not required for students who have already taken a class in JAVA programming.

2. Typically, students with an AS or AAS degree enters the ICT Major having met the General Education Requirements (**32 credits**) of:

Area	Credits
• Area I: Public Speaking	3
• Area I: English Composition	3
• Area I: College Level Writing	3
• Area III: Laboratory Science	8
• Area IV: Social/Behavioral Sciences	6-9
• Area V: Humanities and Fine Art	6-9

3. Electives (**39 credits**)

- Typically content courses from an AS or AAS program

A student can start the program prior to finishing the junior standing requirements but must make arrangements to fulfill these prerequisites or their equivalents.

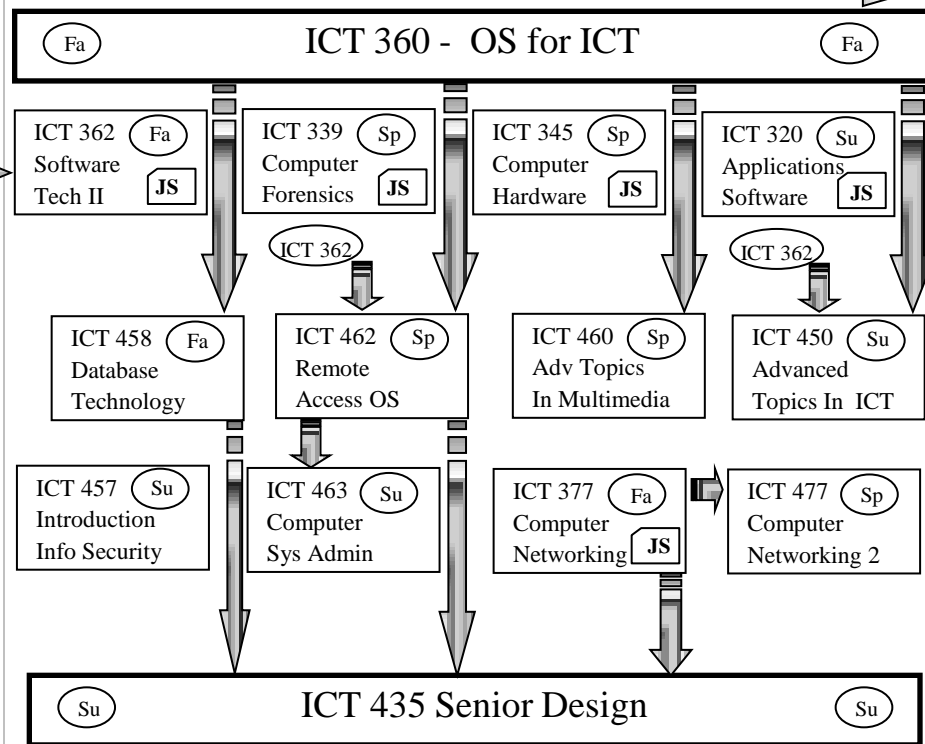
ICT Upper Division Requirements

Junior Standing JS

Semester offerings by the department

(Fa) Fall (Sp) Spring (Su) Summer

Prerequisites 



NMSU Viewing the wider world requirements

Viewing the Wider World 1 - Level 300 or above, 3 credits

- Outside Major and Department

Viewing the Wider World 2 - Level 300 or above, 3 credits

- Outside College of Engineering

Visit our web site at <http://et-ict.nmsu.edu>

Advising: Review the courses you may need for the semester. Pay close attention to the **prerequisites(these have changed starting in Spring 2012)** and the semester offerings. The on-line catalog has a listing all the courses that can be used for the required gen-ed and viewing the wider world classes. If you have questions or have problems registering contact an advisor(have your Banner ID handy).

Advisors	Office	Telephone	Email
Morrell	ECIII 389	646-5011	mgm@nmsu.edu
Beasley	ECIII 130	646-2236	jbeasley@nmsu.edu

Notes:

The student is expected to have been introduced to Word, PowerPoint, Excel, Access, and HTML.

ICT 352 is required for students entering the ICT program who have not taken an introductory class in Java programming. This will be evaluated by an ICT faculty advisor.

ICT 435 is the Senior Project class. This class is to be taken in the senior year. The prerequisites for this class are ICT 462 and ICT 477 and ICT 458. The student will work on an approved project related to the ICT curriculum.

Course Titles

ICT 320 Software Applications for IT

ICT 360 Operation Systems for ICT

ICT 339 Computer Forensics

ICT 345 Computer Hardware Fundamentals

ICT 352 Software Programming for ICT (Intro to Java)

ICT 362 Software Technology II

ICT 377 Computer Networking I

ICT 300 Special Topics in ICT

ICT 435 Senior Project

ICT 450 Advanced Topics in ICT

ICT 457 Introduction to Information Security Technology

ICT 458 Database Technology for Engineering

ICT 460 Advanced Topics in Multimedia Applications

ICT 462 Remote Access Operating Systems

ICT 463 Computer Systems Administration

ICT 477 Computer Networking II