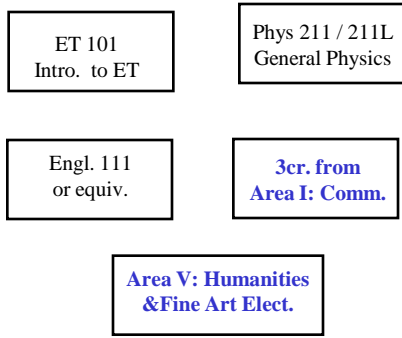
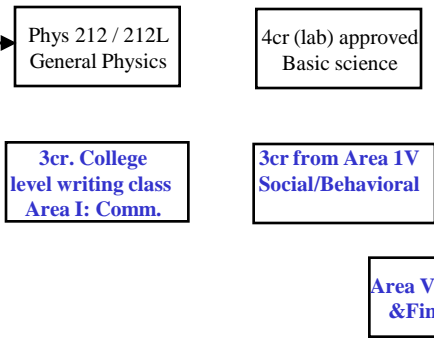


Electronics and Computer Engineering Technology / 2007 - 2008 Catalog

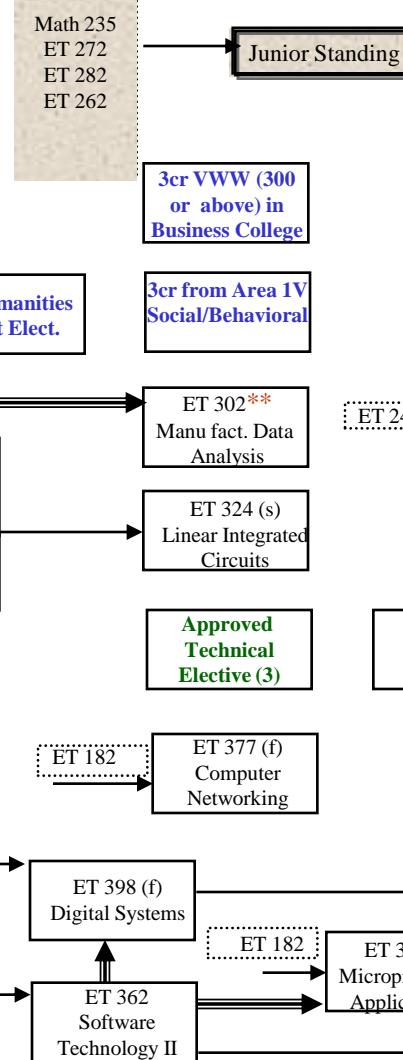
Freshman Year



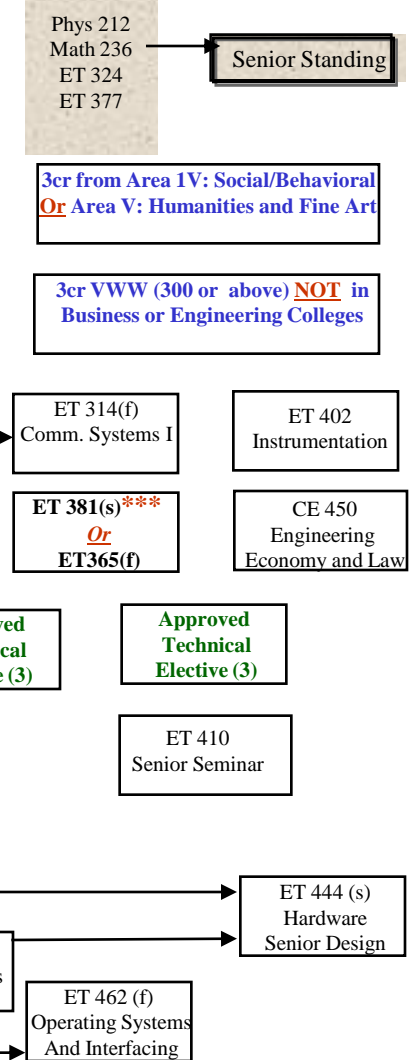
Sophomore Year



Junior Year



Senior Year



*OECS 105 or CS 110; **ESTAT 311; *** Renewable Energy Technology or Building Utilities

f - fall only course
s - spring only course

Pre-requisite →

Co-requisite ↔

Co / Pre-requisite ⇔